

# A Closer Look at Hoists and Patient Transfer Platforms

Medical Aids Subsidy Scheme  
28 May 2025



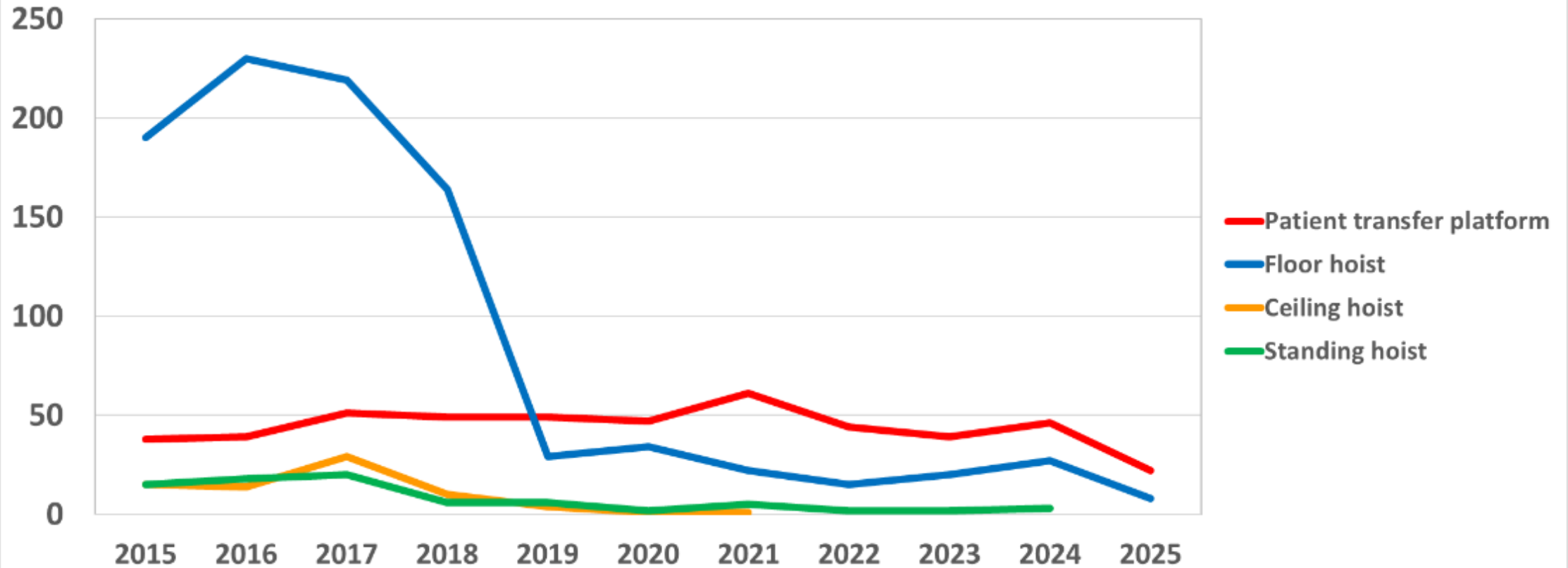
# Learning Objectives:

- Understand the Latest MASS Guidelines and Subsidy Funding Levels
- Familiarise yourself with the SOA Products
- Understand client sling assessment and compatibility with hoists
- Learn tips on selecting hoists and patient transfer platforms that ensure safety, effectiveness, and compatibility with client needs and environments

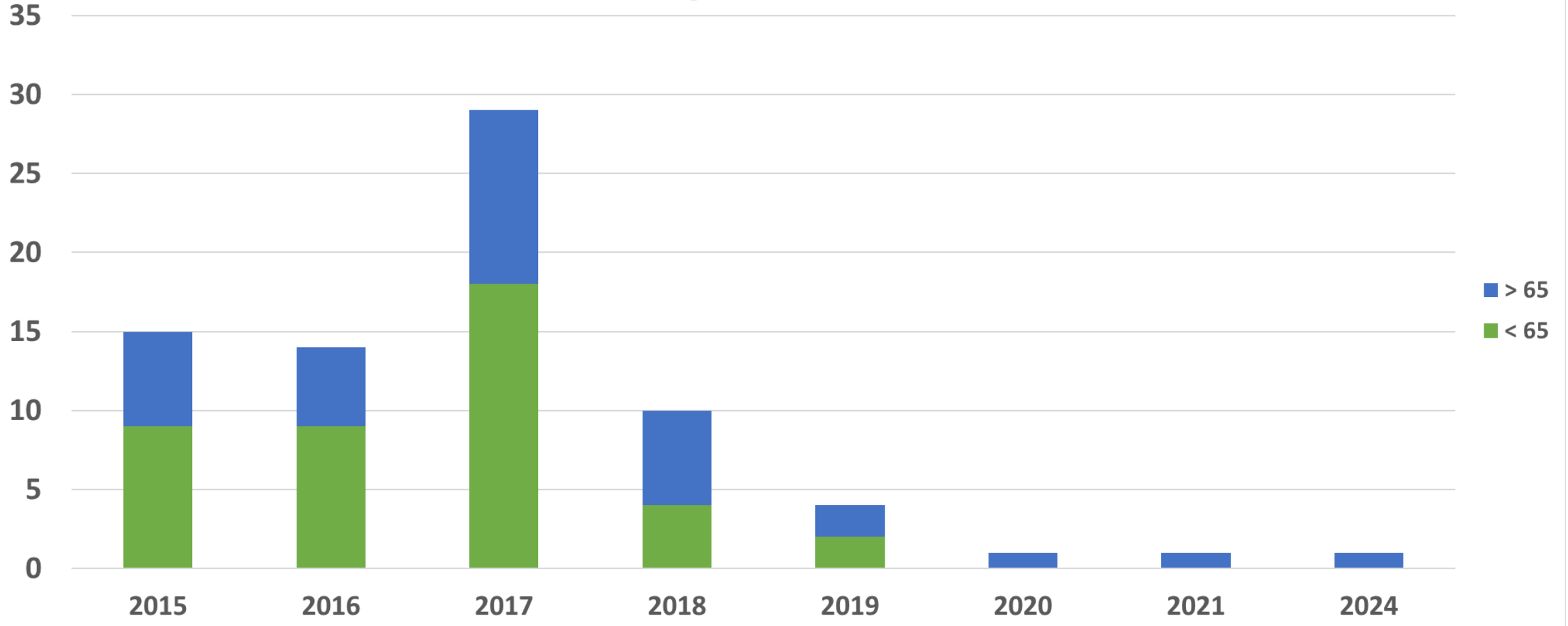
# **Equipment trends over the past decade:**

Sum of QUANTITY	Column Labels												
Row Labels	2015	2016	2017	2018	2019	2020	2021	2022	2023	2024	2025	Grand Total	
<input checked="" type="checkbox"/> ELECTRIC HOIST	220	266	268	188	58	37	31	17	22	20	2	1129	
Sonata 2880 Electric Hoist with pivot frame	45	53	74	45	6	10	1	2	3	3		242	
Sonata 2880 Electric Hoist with standard 2p yoke	31	30	39	19	2	6	2	1	2	3		135	
Invacare Birdie Manual Leg with pivot	20	15	10	5	2							52	
Invacare Birdie Compact Pt Lifter with 2 pt spread	19	20	7	2	1							49	
Oxford Journey Standing Hoist	5	11	9	2	2	2	3			1		35	
Alto MKII 200 Allegro Patient Lifter with 2pt	6	11	7	5	3	1						33	
Invacare Birdie Manual Leg, 2 point spreader bar	8	8	4	7	2	1						30	
Oxford Advance Electric Hoist with 2pt spreader	6	7	7	5			1					26	
Birdie Compact with Pivot Frame	9	4	5	7								25	
Maxi Sky 2 Ceiling Hoist	7	5	8	2	1					1		24	
Hercules 150 Manual Leg Home Care T Motion H150MT	4	11	4	4			1					24	
Alto MKII 200 Allegro Patient Lifter with Pivot			5	11	1	3	1		1		1	23	
Invacare Birdie Patient Lifter w Pivot Frame Elec	5	12	3	2								22	
Allegro Salsa 200 Stand Up Lifter (27770)	6	6	6	2	1							21	
ALTO MKII 200 Lifter with Powered Pivot Frame	5	4	4	3	1	1			1	1		20	
Aspire 150 Folding Aluminium Lifter with 2 pt Hoist/Transfer Device as on SOA		8	5	1	1		1	1		2		19	
Sara 3000 Electric Hoist	2	6	7	3								18	
Aspire 150F Aluminium Folding Manual Leg Lifter			1	7	1	2	3	1	1			16	
Kerry KH401 Multi Lift Patient Hoist with 2pt	3	3	1	4		1	1		1			14	
Maxi 500 KM560084 Passive Hoist with 4 pt hanger	1	4	5			1	1	1				13	
Maxi Sky 2 Ceiling Hoist with Powered Pivot			8	1		1						10	

## Product type by year



## Ceiling Hoist Trends



# Legislation:

- [Work Health and Safety \(Codes of Practice\) Notice 2022 - Queensland Legislation - Queensland Government](#)

Codes of Practice preserved under section 284 for the *Work Health and Safety Act 2011*

Work Health and Safety (Codes of Practice) Notice 2011 Explanatory Note:

- [Work Health and Safety \(Codes of Practice\) Notice 2011 Explanatory Note](#)
- Queensland Manual Tasks Involving the Handling of People Advisory Standard 2001 (updated July 2018)
  - [Manual Tasks Involving the Handling of People Code of Practice 2001](#)
- Queensland Hazardous Manual Tasks Code of Practice 2021 (updated March 2021)
  - [Hazardous manual tasks Code of Practice 2021](#)

NB People handling is a hazardous manual task and therefore the above codes should be read in conjunction with each other.

[National Code of Practice Prevention of musculoskeletal Disorders from performing manual tasks at work 2007](#)

- [nationalstandardformanualtasks\\_2007\\_pdf.pdf](#)

# Current SOA – Patient Lifting Devices



**Queensland  
Government**

# Examples of Patient Lifting Devices no Longer on the Approved Product List:

Reduced options and ranges compared to previous SOA:

- Multilift
- Ceiling Hoists
- Arjo Sara Steady

# Patient Lifting Devices and Slings

## For all Patient Lifting Devices:

Ensure Applicant/Carer is able to:

- Safely and effectively use the prescribed Assistive Product in all required areas of the home.
- Appropriately clean/maintain and store the prescribed Assistive Product.

Note:

- MASS may provide one item to assist with transfers.
- MASS may not approve subsidy funding towards an item if applicant's function is anticipated to change in the near future requiring replacement product e.g. decline in ability to weight bear.
- The most basic Assistive Product selection must be considered first.
- Clinical justification must be supplied when requesting consideration of additional funding.
- Electric leg spread will not usually be approved for additional funding. Circumstances where this may be considered include:
  - Unable to access lever/pedal to operate due to tight circulation space.
  - Complex transfer where hands-on assist is required during the transfer.
- A safety switch/residual current device is required for all Assistive Products that use mains power for operation and/or charging.

## Daily Living and Mobility Aids Temporary Guideline

***Trials and quotes are required for hoists and slings and patient transfer platforms***

# Temporary Subsidy Funding for DLA and Mobility Aids



**Queensland**  
Government

## GOLDEN RULES

- Consider items on the SOA first (within the relevant category)
  - *Significant implications for timeframes if going off SOA. Please contact a clinical advisor first*
- Choose the most basic assistive product that meets your client's needs
- Consider the additional funding options if more complex equipment is clinically required
- 'Be aware that MASS will not pay for a replacement/exchange item that has been inappropriately/incorrectly prescribed, once ordered.'



# Hoist Introduction

Hoists are introduced when lifting or transfers cannot be conducted safely due to factors related to the user, carer and/or environment

## Reasons that influence use:

- Comfort and security of the hoist
- Compatibility with the environment
- Ease of use
- Adequate training
- Psychological implications
- Opportunity to engage in meaningful activities made available through use of the hoist

## Reasons for non-use:

- Increased time involved in lifting
- Decreased physical contact with the person
- Initial cost
- Space the hoist takes up within the home
- Person's dislike of the hoist and/or feeling unsafe

**All hoists are client transfer devices, but not all client transfer devices are hoists. The choice depends on individual needs and abilities.**



- **Patient Transfer Devices:** These assist with various types of transfers, including lateral (horizontal), sit-to-stand, seated, and vertical lifting. They cater to individuals with different mobility levels and assistance needs, often without requiring a sling.
- **Hoists:** A hoist is a mechanical lifting device designed for safely transferring individuals with significant mobility limitations. Using a sling for support, it evenly distributes weight to enhance comfort and minimise movement-related risks. Hoists reduce caregiver strain and ensure secure transfers in hospitals, care facilities, and homes. They may be mobile or ceiling-mounted, adapting to different environments. (Fray & Davis, 2024)

[IC-ISA-brochure\\_Sept-2020.pdf](#)

# Mobile Floor Hoists



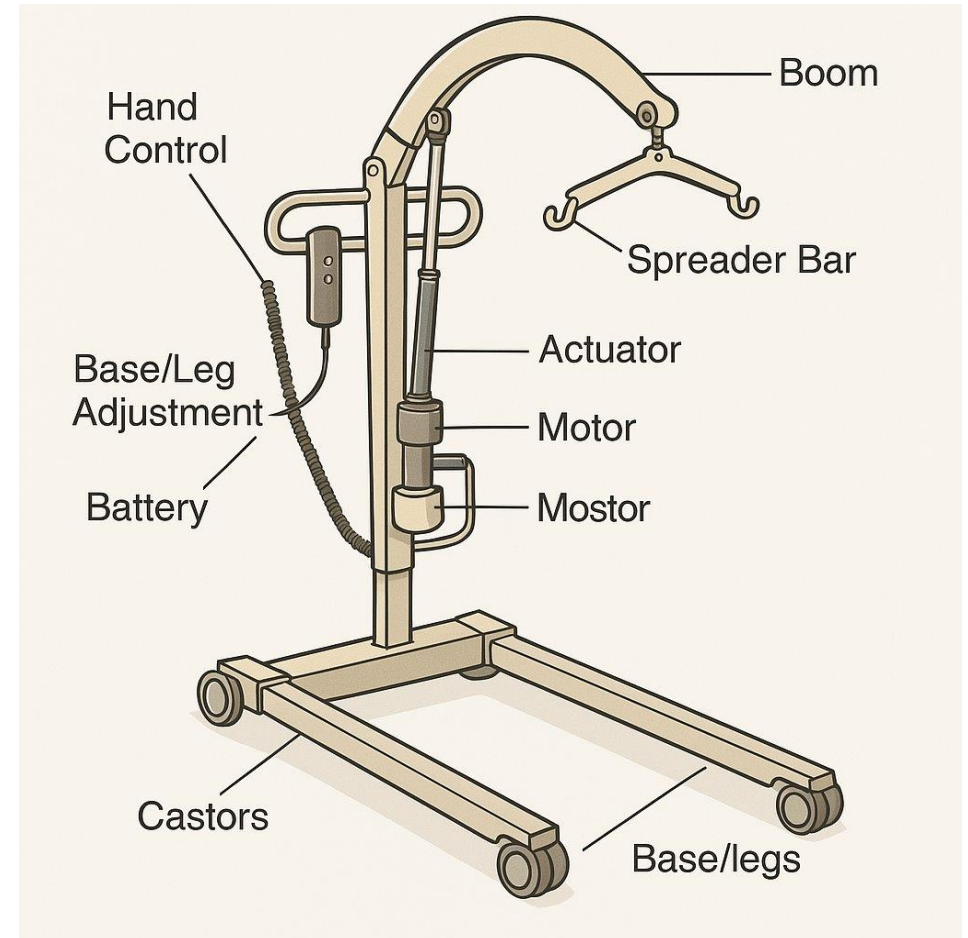
**Queensland  
Government**

Category – Patient Lifting Devices and Slings	Primary Subsidy: Available towards products within the relevant category*	Primary Subsidy inclusions/Additional Funding: provide clinical justification to request consideration of funding*	Clinical Eligibility: Applicant has a permanent and stabilised condition or disability and requires Assistive Products to improve function and safety in the home and:
Mobile Floor Hoist	\$3,500	Primary Subsidy includes frame, battery, charger, standard spreader, controller.	<p>Is unable to (one or more):</p> <ul style="list-style-type: none"> <li>Effectively complete standing or non-standing transfer using grab rails and/or transfer devices such as a slideboard.</li> <li>Effectively complete standing or non-standing transfer with assistance.</li> </ul>
		Non-standard attachment – pivot/power pivot or 4-point spreader - \$700	<p><u>Standard spreader is unsuitable.</u> Non-Standard attachment is required for comfort and/or positioning between lying and sitting and between surfaces e.g. bed to wheelchair.</p>
		Other prescribed requirements e.g. increased lift, reach, safe working load - \$2,000	Requires a higher safe working load, increased lift range/reach to accommodate anthropometrics and/or complete transfers. E.g. reach and leg spread for transfer to recliner.

# Mobile Floor Hoists - Considerations

- How will it fit the home environment?
- How high does it go?
- How far to reach?
- Need to get the user on the floor?
- What are you using it for?
- Sling compatibility?

***Start the prescription by doing a sling assessment.***



# Mobile Floor Hoists



A150F Aluminium Folding Lifter

Manual leg  
SWL 150kg



A205 Aluminium Patient Lifter

Electric leg  
SWL 205kg



A320 Aluminium Bariatric Lifter

Electric leg  
SWL 320kg



A 200 Steel Patient Lifter

Electric leg  
SWL 200kg

# Aspire Hoists Attachments



Aspire A320 Aluminium  
Bariatric  
SWL 320kg



Aidacare Aspire A150F  
SWL 150kg

# Mobile Floor Hoists



Birdie Evo Compact

Manual Leg  
SWL 150kg



Birdie Evo Plus –

Electric leg  
SWL 180



Birdie Evo

Xplus

Electric leg  
SWL 210kg

# Birdie Evo Hoists Attachments



Birdie Evo 4 Point Spreader Bar



Birdie Evo Pivot Frame



Birdie Evo Lifter Frame-



Alto with P/  
Pivot  
Electric leg  
SWL 200kg



Alto Power  
Pivot  
Frame&Weigh  
Scale | Electric  
leg  
SWL 200kg



Sonata 150  
Lifter  
Manual Leg  
SWL 150Kg



Forte 320kg-Power  
Pivot with Scale |  
Electric Leg  
SWL 320kg

# Alto Hoist Attachments



Standard Yoke  
SWL 200kg



Pivot  
Frame & Weigh  
Scale  
SWL200kg



Pivot Frame  
SWL 200kg

# Alto Power Pivot Hoist Controller

*“ An interesting thing about this hoist is that the power pivot is fully wired in and operated from the controller along with lift/lower and electric leg spread. Some of the hoists do this. Some the power pivot attachment can be retrofitted like any other and there is a little actuator and battery actually on the pivot. These need to be operated by physically standing at the pivot and pressing the button there. ”*



# Mobile Floor Hoists Cont...



Molift Smart 150  
SWL 150kg



Molift Mover 180  
SWL 180kg

# Molift Hoist Attachments



Molift Mover 150 Hoist  
SWL 150kg



Molift Mover 180 Hoist  
SWL 180kg

# Caregiver Considerations



- Consideration needs to be made of a single carer in the community
- What are the demands of the task?
- Should pivot be considered (Not always an easier option)
- Legspread options incl. electric
- Manouverability
- Comparative size between Client:Carer (carer capacity)

# Hoisting Environment:

- Flooring (carpet vs lino)
- Lifting height and angle of lift
- Working in confined spaces
- Storage
- How the hoist works in with the client's other equipment items (bed heights)
- Access within the house

# Standing Hoists



**Queensland  
Government**

Category – Patient Lifting Devices and Slings	Primary Subsidy: Available towards products within the relevant category*	Primary Subsidy inclusions/Additional Funding: provide clinical justification to request consideration of funding*	Clinical Eligibility: Applicant has a permanent and stabilised condition or disability and requires Assistive Products to improve function and safety in the home and:
Standing Hoist	\$4,100	Primary Subsidy includes frame, battery, charger, standard spreader, controller.	Is unable to (one or more): <ul style="list-style-type: none"> <li>Effectively complete standing or non-standing transfer using grab rails and/or transfer devices such as a slideboard.</li> <li>Effectively complete standing or non-standing transfer with assistance.</li> </ul>

# Standing Hoist

## Users must be able to:

- Comprehend and comply with instructions
- Some ankle dorsiflexion
- UL ROM to reach and grasp handles
- Posterior tilt pelvis and lean back slightly
- Partially weight bear

## Contraindications:

- No LL or trunk activity during lifting phase
- Severe osteoporosis or fragile bones
- Inability to weight bear
- Posterior hip dislocation
- Pain or instability
- LL deformity that prevents PWB
- Asymmetrical posture – individualised Ax

## Other considerations:

- Required for transfers not rehabilitation
- Suitability for all transfers
- Anticipated functional change

# Standing Hoist



[200s lifter user manual.pdf](#)

# Patient Transfer Platform



[Aspire Star Patient Mover | Aidacare](#)

VS

The choice often comes down to client and carer preference / strength / trunk control / support required

*Photo retrieved from novis.com.au @2025.*

# Standing Hoists



ISA Stand Up  
- Compact  
Manual leg  
SWL 140kg



ISA Stand Up  
- Electric  
legspreader  
Electric leg  
200kg



Salsa 200  
Standing Lifter  
Electric leg  
SWL 200kg



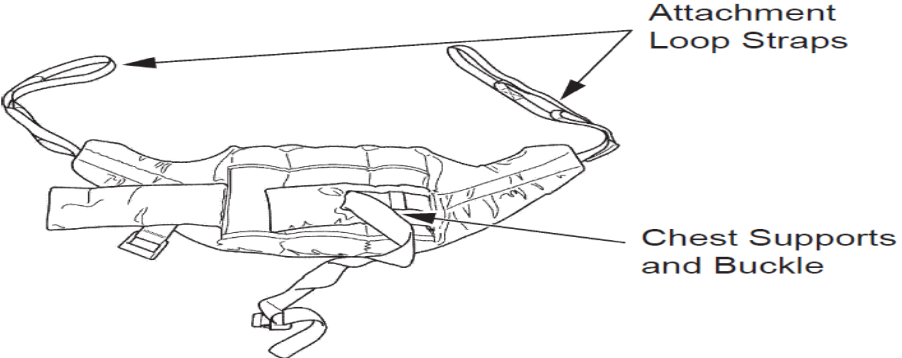
A200S  
Aluminium  
Standing Lifter  
Electric leg  
SWL 200kg



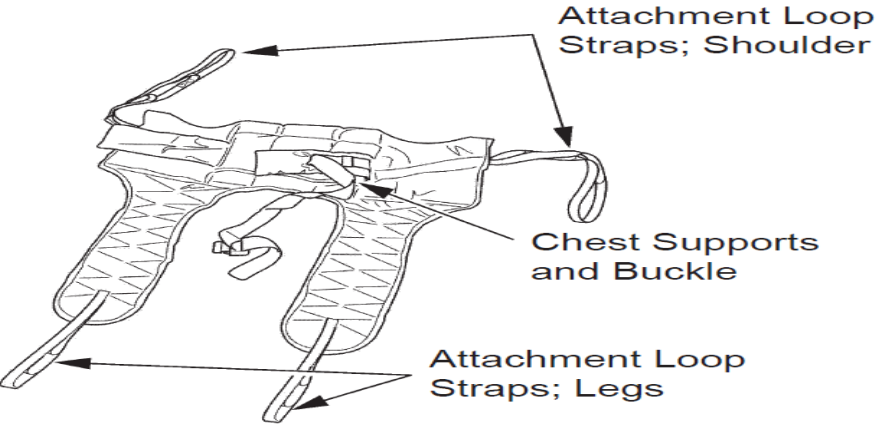
200S Steel  
Standing  
Lifter  
Electric leg  
SWL 200kg

# Standing Hoist: Slings

## Standing Sling



## Sitting or Transport Sling (non-SOA item)



Images from Oxford Journey User Manual

Images from [IVC Lifters and Slings Catalogue April 2024 WEB.pdf](#)

# Patient Transfer Platforms



**Queensland  
Government**

<b>Category – Patient Lifting Devices and Slings</b>	<b>Primary Subsidy:</b> Available towards products within the relevant category*	<b>Primary Subsidy inclusions/Additional Funding:</b> provide clinical justification to request consideration of funding*	<b>Clinical Eligibility:</b> Applicant has a permanent and stabilised condition or disability and requires Assistive Products to improve function and safety in the home and:
<b>Patient Transfer Platform</b>	\$2,500	Primary Subsidy includes frame	Is unable to (one or more): <ul style="list-style-type: none"> <li>• Effectively complete standing or non-standing transfer using grab rails and/or transfer devices such as a slideboard.</li> <li>• Effectively complete standing or non-standing transfer with assistance.</li> </ul>

# Patient Transfer Platforms

## Users must be able to:

- Comprehend and comply with instructions
- Lean forward
- Actively extend LLs
- UL ROM to reach and grasp handles
- Weight bear
- Maintain standing balance

## Contraindications:

- No LL or trunk activity during lifting phase
- Posterior hip dislocation
- Pain
- Severe osteoporosis or fragile bones
- LL deformity that prevents PWB

## Other considerations:

- Required for transfers not rehabilitation
- Suitability for all transfers
- Anticipated functional change

# Patient Transfer Platform



Oxford Up Stand-Aid  
SWL 200kg  
Base 633x960mm



Etac Turner Pro  
SWL 200kg  
Height 800-1200mm



Molift Raiser Pro  
SWL 170kg  
Height 1200mm

# Patient Transfer Platform



Shifty Transfer Assist  
SWL 200kg



Star Mover - Adjustable Legs  
SWL 185kg



Abiturn Transfer  
SWL 150kg

# Patient Transfer Platform



Staebel Patient Transfer Standard

SWL 150kg

Product height

930mm 1050 mm



Staebel Transfer Platform-Foot Pedal

SWL 150kg



Staebel Patient Transfer Bariatric

SWL 320kg

Product height

930mm 1050 mm

# Multilift Hoists



**Queensland  
Government**

Category – Patient Lifting Devices and Slings	Primary Subsidy: Available towards products within the relevant category*	Primary Subsidy inclusions/Additional Funding: provide clinical justification to request consideration of funding*	Clinical Eligibility: Applicant has a permanent and stabilised condition or disability and requires Assistive Products to improve function and safety in the home and:
Multilift Hoist	\$5,000	Primary Subsidy includes frame, battery, charger, standard spreader, controller.	<p>Is unable to (one or more):</p> <ul style="list-style-type: none"> <li>Effectively complete standing or non-standing transfer using grab rails and/or transfer devices such as a slideboard.</li> <li>Effectively complete standing or non-standing transfer with assistance.</li> </ul> <p>And meets the following (one or more):</p> <ul style="list-style-type: none"> <li>Requires support during standing and full lift for different transfer purposes or due to fluctuating function.</li> <li>Requires support during standing but will experience predicted decline in function e.g. degenerative neurological condition.</li> </ul>
		Non-standard attachment – pivot/power pivot or 4-point spreader - \$700	Standard spreader is unsuitable. Non-Standard attachment is required for comfort and/or positioning between lying and sitting and between surfaces e.g. bed to wheelchair.
<p><u>Note: The function of the full lift component of the multi-lift hoist must be considered for current and likely future needs.</u></p>			

# Non –SOA Multi-lift Hoist Example

**Multi Lift Standing/Sitting  
Patient Lifter: Kerry**



**Queensland  
Government**

# Ceiling Hoists



**Queensland  
Government**

Category – Patient Lifting Devices and Slings	Primary Subsidy: Available towards products within the relevant category*	Primary Subsidy inclusions/Additional Funding: provide clinical justification to request consideration of funding*	Clinical Eligibility: Applicant has a permanent and stabilised condition or disability and requires Assistive Products to improve function and safety in the home and:
Ceiling Hoist – Motor Only	\$3,000	Primary Subsidy includes motor, battery, charger, standard spreader, controller.	<p>Is unable to (one or more):</p> <ul style="list-style-type: none"> <li>Effectively complete standing or non-standing transfer using grab rails and/or transfer devices such as a slideboard.</li> <li>Effectively complete standing or non-standing transfer with assistance.</li> </ul>
		Non-standard attachment – pivot/power pivot or 4- point spreader - \$700	Standard spreader is unsuitable. Non-Standard attachment is required for comfort and/or positioning between lying and sitting and between surfaces e.g. bed to wheelchair.
		Increased safe working load - \$2,000	Requires a higher Safe Working to accommodate anthropometrics/client weight.
<p>Note:</p> <ul style="list-style-type: none"> <li>MASS will not provide a back-up mobile floor hoist.</li> <li>Installation requirements must be met as per the <a href="#">MASS 27 Ceiling Hoist Checklist</a>.</li> </ul>			

## Ceiling Hoists



# Ceiling Hoists vs. Mobile Hoists

## Ceiling Hoists:

- Fixed to overhead tracks for smooth, effortless transfers
- Safer for caregivers; less manual handling, reduced strain
- Space-saving design, can be used in small rooms
- Requires installation and not portable. Less physical strain, no heavy pushing or awkward lifting
- Improved safety minimizes injury risks
- Efficient transfers faster workflow in care settings




## Mobile Hoists:

- Flexible and portable, can be moved between rooms
- No permanent installation needed
- Requires manual positioning, increasing caregiver effort
- Takes up floor space



# MASS27 - Ceiling Hoist Checklist

 <b>Queensland Government</b> Medical Aids Subsidy Scheme (MASS) Queensland Health  <b>MASS 27 Ceiling Hoist Checklist</b>	(Affix identification label here)
	Family name: <input type="text"/>
	Given name(s): <input type="text"/>
	Date of birth: <input type="text"/> Gender: <input type="checkbox"/> M <input type="checkbox"/> F <input type="checkbox"/> I

For ceiling hoist applications, complete this checklist and submit with [MASS 20 Daily Living Aids and Mobility Equipment Form](#).

MASS staff, in accordance with the MASS Privacy Statement, are committed to maintain strict confidentiality in all aspects of service delivery. You are assured that this information will remain confidential. Your information will not be divulged without your consent, except where required by law.

**The property owner has provided written consent for a ceiling hoist to be installed at the property.** (Not applicable for free standing gantry systems)  Yes  No

**The installation of the ceiling hoist shall be:**

**Carried out by a licensed builder in accordance with the relevant aspects of *The Australian Building Code Queensland Building Act* and Queensland Building regulations.**  Yes  No  
(Not applicable for free standing gantry systems)

**Undertaken in accordance with the ceiling hoist manufacturer's guidelines using compatible tracking and components as recommended.**  Yes  No

**Certified by a Registered Structural Engineer, who has issued a certificate of structural adequacy.** (Not applicable for free standing gantry systems)  Yes  No

**I understand that:**

**MASS only provides a subsidy for the motor of the ceiling hoist, and is neither the supplier, installer nor manufacturer of the hoist.**  Yes  No

**MASS does not warrant for the safety of the hoist.**  Yes  No

**MASS will not be held liable for any injury or loss that may arise in relation to the subsidised hoist.**  Yes  No

**MASS will not provide a back up mobile hoist.**  Yes  No

**MASS will only retain ownership of the ceiling hoist motor unit and is not responsible for the ongoing repairs and maintenance of the tracking system. MASS may when servicing the motor unit service the tracks, however any additional repair work required will need to be conducted at the client's expense. If appropriate action is not taken and MASS is concerned for the client's safety, MASS may remove the motor unit until the track repairs are completed.**  Yes  No

**Prescriber Details**

<b>1 Name</b>	<input type="text"/>	
	Family name <input type="text"/>	Given name(s) <input type="text"/>
<b>2 Profession and Employer</b>	<input type="text"/>	
	Profession <input type="text"/>	Employer <input type="text"/>
<b>3 Signature and Date</b>	<input type="text"/>	
	Signature <input type="text"/>	Date <input type="text"/>

**Client Details**

<b>4 Name</b>	<input type="text"/>	
	Family name <input type="text"/>	Given name(s) <input type="text"/>
<b>5 Signature and Date</b>	<input type="text"/>	
	Signature <input type="text"/>	Date <input type="text"/>

Submit completed form to a MASS Service Centre with MASS 20 Application Form

**Website:** [health.qld.gov.au/mass/](http://health.qld.gov.au/mass/)

**Telephone:** 07 3136 3524

**Email:** [MASS-Equipment@health.qld.gov.au](mailto:MASS-Equipment@health.qld.gov.au)

**Brisbane:** PO Box 281, Cannon Hill Qld 4170

**Townsville:** PO Box 1494, Townsville Qld 4810

# Slings

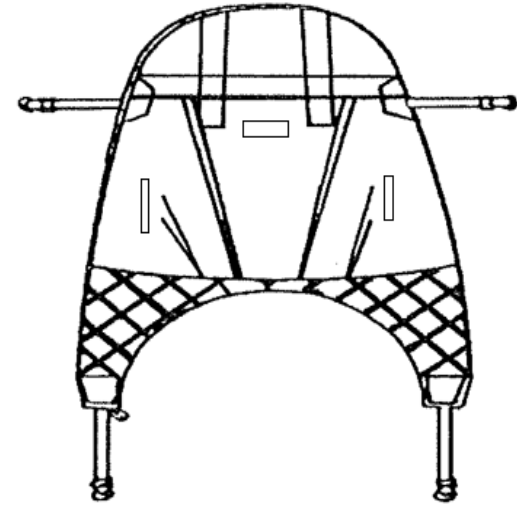


**Queensland  
Government**

Category – Patient Lifting Devices and Slings	Primary Subsidy: Available towards products within the relevant category*	Primary Subsidy inclusions/Additional Funding: provide clinical justification to request consideration of funding*	Clinical Eligibility: Applicant has a permanent and stabilised condition or disability and requires Assistive Products to improve function and safety in the home and:
Slings	1st Sling – fully funded.  2nd Sling - \$ 400	Primary Subsidy includes sling only.	A sling is required for a MASS subsidised hoist where ownership of the hoist is MASS' ongoing responsibility. Slings must be the same brand as the hoist or endorsed by the hoist manufacturer. Second sling may be provided to all clients eligible for a hoist. A different style sling to the primary sling can be requested for a specific transfer.
<p>Note: In exceptional circumstances, where hoist manufacturer endorsement has not been provided, MASS may subsidise loop slings for use with different brand hoists with a standard 2-point spreader bar. Requirements must be met as per the <a href="#">MASS 25 Hoist and Sling compatibility Checklist</a>.</p>			

# Sling Features

- Sling type: loop or pivot attachment
- Sling shape:
  - Different shapes provide different levels of support
  - With or without head support
- Commode aperture:
  - Influences the support provided around the buttocks/hips and thighs,
  - Function of the sling, e.g. hygiene/toileting sling
  - Ease of application, e.g. divided leg vs hammock/amputee sling
- Leg sections:
  - Adequate support to prevent 'slipping' through the sling and comfort
  - Modesty strap to maintain leg sections together
  - With or without padding
- Postural inserts or padding for additional support
- Positioning handles

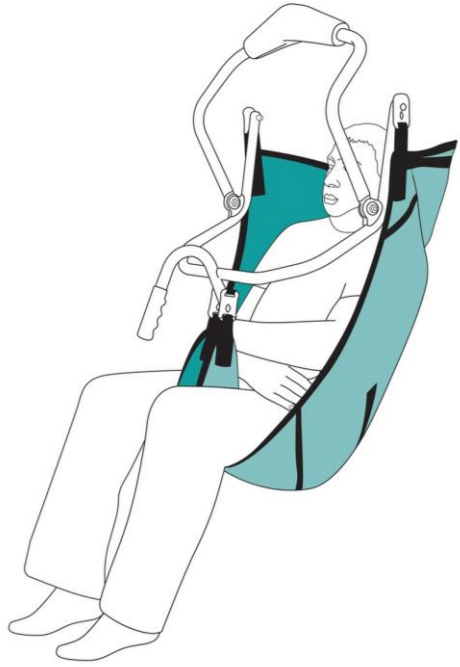


Molift slings – Padded back

# Sling Styles

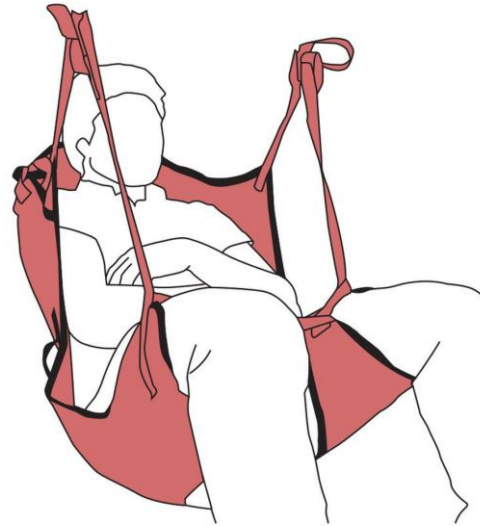
- Pivot / loop
- General purpose
- General purpose with head support
- Hygiene (i.e. toileting, general purpose low sling)
- Hammock
- Amputee
- Fabric / mesh / parasilk...

# Slings



## Staelbel Pivot Sling

X-S,S,M,L,X-L, XX-L  
Fabric, mesh, parasilk  
SWL 200 – 300kg



## Universal Deluxe Sling

X-S,S,M,L,X-L, XX-L  
Fabric, mesh, parasilk  
SWL 200 – 300kg



## General Purpose Head Support Sling

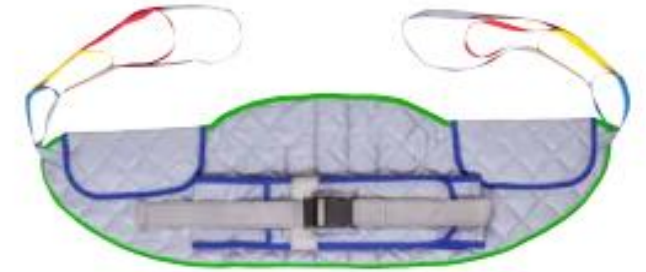
X-S,S,M,L,X-L, XX-L  
Fabric, mesh  
SWL 320kg



## Pivot Sling

S,M,L,X-L, XX-L Fabric, mesh  
SWL 200kg

# Standing Sling



Salsa Sling, buckle or velcro fastening



Aspire Standing Slings - Extra Padded Fabric Polyester, S, M, L, XL, XX-L, XXXL, SWL 200 – 300kg.

*Photo retrieved from aidacare.com.au @2025.*

*Photo retrieved from activemedical.com.au @2025.*

# Hammock Slings



Aspire Deluxe Hammock Sling  
with Head Support  
Fabric mesh, S, M, L, X-L, XX-L  
, SWL 200 – 300kg



Hammock Sling | Invacare  
M , L – SWL 205 -300kg.

# Hygiene Slings



Aspire Deluxe Hygiene Access Sling (ALSO AVAILABLE WITH HEAD SUPPORT)

SWL 300kg



ProSling Pivot Hygiene Sling  
SWL Small, Medium 205 kg  
Large – 300 kg

Invacare Hygiene High Fabric Sling  
SWL Small, Medium, Large 200 kg–  
X-Large – 250 kg

*Photo retrieved from aidacare.com.au @2025.*

*Photo retrieved from ILS.com.au @2025.*

# Hygiene Slings cont...



Molift RgoSling - Toilet (Low & HighBack)

XS, S,S,M,L,X-L, XX-L Fabric Polyester

SWL 17 – 300kg

# Amputee Slings

Molift RgoSling Amputee (Medium & HighBack)  
XS, S,S,M,L,X-L, XX-L Fabric Polyester SWL 17 – 300kg



Photo retrieved from [ils.com.au](https://ils.com.au) @2025



Extra trunk support.



Additional strap for security



Photo retrieved from [novis.com.au](https://novis.com.au) @2025.

# Sling Assessment



**Queensland  
Government**

# Sling Choice

- Client comfort is a major consideration
- Clinical needs and precautions e.g. hip precautions, amputation, wounds
- Cognitive status
- Mobility status
- Anthropometrics
- Level of postural support required in sling
- Sensory issues
- Dignity when using the equipment
- Attachments e.g. catheters, feeding tubes

Enos, L. (2019). A comprehensive review of patient slings. *International Journal of Safe Patient Handling & Mobility*, 9(1), 15–36. © Visioning Publishers LLC.

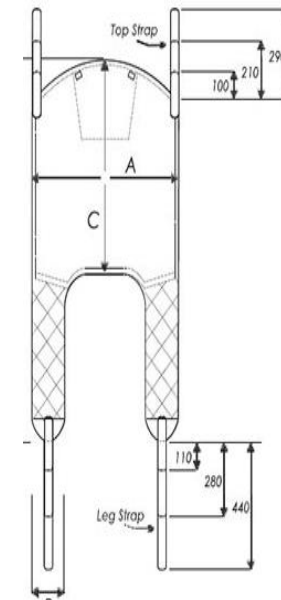
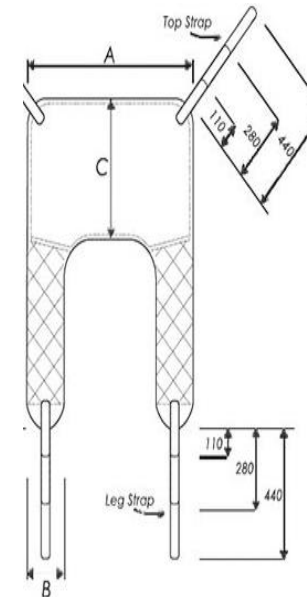


# The purpose of the transfer:

- Consider the surfaces:
  - Toileting
  - Bathing
  - Mobility
  - Floor
- Consider the reasons:
  - Redistribution of weight
  - Respiratory function
  - Decrease risk of aspiration esp. with oral intake
  - Improve gastro-oesophageal function
  - Change of environment for AT user

# Measuring for a sling

- Sling sizing varies across manufacturers, which can result in different sitting positions for the same individual (Baptiste et al., 2008).
- Most slings are available in a range of sizes (e.g., XS to XXL).
- Safe Working Load (SWL) alone does not determine the correct sling fit—clinicians must also consider the individual's body shape and weight distribution.
- Each manufacturer provides specific sizing charts for their slings. For example, Invacare offers detailed sizing information for its General-Purpose Sling.
- Bariatric slings wider leg/ padded straps will reduce roping effect on client legs and give extra protection against skin damage
- Longer leg straps will increase comfort, easier application of the sling



General Purpose Sling

		S	M	L	XL
	A	850	920	1110	1270
	B	230	220	260	260
	C	490	530	650	730
	D	1180	1240	1360	1520
CODE	Fabric	17105	17041	17043	17204
	Mesh	17123	17124	17125	N/A

General Purpose Sling with Head Support

		XS	S	M	L	XL	XXL
	A	820	830	970	1140	1310	1420
	B	190	230	230	250	260	270
	C	760	790	920	990	1000	1060
	D	1290	1330	1450	1680	1720	1850
CODE	Fabric	17209	17247	17067	17069	17205	N/A
	Mesh	N/A	17126	17127	17128	17248	17212

# Measuring for Hoist Sling



Enos, L. (2019). A Comprehensive Review of Patient Slings. *Int J SPHM*, 9(1), 15 – 36.

Baptiste, A., Cleerey, M. M., Matz, M., & Evitt, C. P. (2008). Proper sling selection and application while using patient lifts. *Rehabilitation Nursing*, 33(1), 22-32.

# Hoist and Sling Compatibility



‘..., the default position should always be to select hoists, attachments and slings recommended by the hoist manufacturer as compatible. This is generally specified in the manufacturer instructions or can be requested from the manufacturer.


Instances may arise, however, in which there is a clinical or operational need to purchase a sling from an alternative manufacturer to the hoist in use. In these instances, compatibility must be established between the hoist and sling...’

[Queensland Health Managing Patient Lifting Devices and Compatibility Guideline](#)

[MASS25 Hoist and Sling Compatibility Checklist](#)

## MASS-eApply

### ▼ Sling Selection

\* Is the requested sling customised and/or non-SOA? 

Yes  No

\* Please specify sling name:

\* Is this a sling which is endorsed by the hoist manufacturer?

Yes  No

‘If the requested sling is customised, please attach any relevant specifications in the ‘Upload supporting documentation’ section on the Submission Page.’

# Matrix sling hoist compatibility – Active Medical Supplies

## Hoist and Sling Compatibility Matrix Active Medical Supplies

Active Care Slings	Salsa sling w/Velcro (S-XL)	Salsa sling w/ buckle (Med-XL)	General Purpose (XSmall-XXL) Parasilk	General Purpose w/ Head Support (XSmall-XXXL)		Universal Deluxe Sling w/ Head Support (XSmall-XL)								
				Mesh	Parasilk	Mesh	Fabric	Parasilk						
					227410 (XS)	227430 (XS)	227435 (XS)	227440 (XS)						
	27720 (S)		227417 (S)		227411 (S)	227431 (S)	227436 (S)	227441 (S)						
	27705 (M)	27702 (M)	227415 (M)		227412 (M)	227432 (M)	227437 (M)	227442 (M)						
	27706 (L)	27703 (L)	227416 (L)		227413 (L)	227433 (L)	227438 (L)	227443 (L)						
	27707 (XL)	27704 (XL)	227418 (XL)		227414 (XL)	227434 (XL)	227439 (XL)	227444 (XL)						
				227212 (XXL)		227450 (XXL)	227451 (XXL)							
Allegro Slings				General Purpose (XSmall-XXL)		General Purpose w/ Head Support (XSmall-XXXL)			Pivot sling (XSmall-XXL)					
				Mesh	Fabric	Mesh	Fabric	Mesh	Fabric	Mesh	Fabric			
								27GP02XS	27GP01XS	27GPHS02XS	27GPHS01XS	27P02XS	27P01XS	
								27GP02S	27GP01S	27GPHS02S	27GPHS01S	27P02S	27P01S	
								27GP02M	27GP01M	27GPHS02M	27GPHS01M	27P02M	27P01M	
								27GP02L	27GP01L	27GPHS02L	27GPHS01L	27P02L	27P01L	
								27GP02XL	27GP01XL	27GPHS02XL	27GPHS01XL	27P02XL	27P01XL	
								27GP02XXL	27GP01XXL	27GPHS02XXL	27GPHS01XXL	27P02XXL	27P01XXL	
Standing hoist														
Salsa 200 Standing Lifter	✓	✓												
Mobile floor hoist														
Sonata/Alto/Forte 320	Spreader/yoke		✓	✓	✓	✓	✓	✓	✓	✓	✓	✓		
	Pivot Frame												✓	✓

# MASS-eApply



**Queensland  
Government**

# MASS Online Applications

Designed to work across multiple platforms: computer/laptop, iPad, Android tablet or smartphone and across all MASS service areas.

MASS-eApply Help and Support: [MASS-eApply Help and Support](#)

Website: [MASS-eApply online applications | Queensland Health](#)

Prescriber Registration: [Register to use MASS-eApply | Queensland Health](#)

Login: <https://forms.health.qld.gov.au/#/login>

MASS-eApply tutorials: [MASS-eApply Tutorials | Queensland Health](#)

For enquiries and technical assistance (8am – 4pm weekdays):

[MASS-eApply@health.qld.gov.au](mailto:MASS-eApply@health.qld.gov.au)

# Mr H. - Applicant Example



72 yo male presenting with dense hemiparesis stroke

Mr H goes between the bed / a TIS MWC / Mobile Shower Commode and a recliner

Anthropometric issues:  
Height 6.6 /  
Weight 105kg

Unable to follow commands and requires a hoist for all transfers

Things to think about:  
Sling: what type and why ?  
Attachment: what type and why ?  
Yoke / spreader / 4-point pivot?

## Registration - Prescribers



[Start](#)



## Daily Living Aids and Mobility Equipment



[Start](#)

# MASS-eApply Walk Through

# Hoists and Slings: Cleaning, Maintenance and Repairs



Queensland  
Government



[MASS Equipment Services Repairs and Maintenance Information Book](#)



[MASS Hoist Maintenance and Cleaning](#)



[Daily living resources | Queensland Health](#)

Maintenance Checklist – Hoists	
Item	Task and Instructions
General	<ul style="list-style-type: none"> <li><input type="checkbox"/> Check all parts for external damage or wear</li> <li><input type="checkbox"/> Check all hardware, attachment points and stress parts, such as slings, hooks, and any pivot points for signs of wear, cracking, fraying, deformation, or deterioration</li> <li><input type="checkbox"/> Verify that the hand control is functional (lifting and leg movements)</li> <li><input type="checkbox"/> Check the emergency stop button</li> </ul>
Batteries	<ul style="list-style-type: none"> <li><input type="checkbox"/> Charge the battery regularly – if the hoist is used today, it should be charged today</li> </ul>
Controls	<ul style="list-style-type: none"> <li>To ensure reliable operation of the hoist, check that:               <ul style="list-style-type: none"> <li><input type="checkbox"/> All plugs are plugged in fully</li> <li><input type="checkbox"/> Control or cord is not cracked, stretched, or damaged</li> </ul> </li> </ul>
Actuator and Spreader Bar	<ul style="list-style-type: none"> <li>Make a visual inspection to ensure:               <ul style="list-style-type: none"> <li><input type="checkbox"/> Spreader bar is operating freely</li> <li><input type="checkbox"/> High tensile pin attaching the spreader bar to the boom is moving freely but not excessively; not worn or rounded off at end</li> <li><input type="checkbox"/> Bolt that secures the pin through the spreader bar to the boom is secure</li> <li><input type="checkbox"/> Any clips, rings, or other means of attaching the actuator or spreader bar to the boom are intact and in good condition</li> </ul> </li> </ul>
Base legs, Mast, and Boom	<ul style="list-style-type: none"> <li>Make a visual inspection to ensure:               <ul style="list-style-type: none"> <li><input type="checkbox"/> Legs can spread their full distance and lock in the open and closed positions</li> <li><input type="checkbox"/> All bolts on the base legs are secure and none are missing</li> <li><input type="checkbox"/> No visible cracks or bends in the base legs, mast, or boom</li> </ul> </li> </ul>

[Hoist and slings Checklist .pdf - Google Drive](#)

# Feedback



Complete the [webinar feedback form](#) to receive a certificate of attendance.



# Thank you!

[MASS-Education@health.qld.gov.au](mailto:MASS-Education@health.qld.gov.au)

[MASS-Equipment@health.qld.gov.au](mailto:MASS-Equipment@health.qld.gov.au)

[MASS-Equipment-TSV@health.qld.gov.au](mailto:MASS-Equipment-TSV@health.qld.gov.au)

