

Adding accessories to your MASS equipment after you receive it



Queensland
Government

Medical Aids Subsidy Scheme

11/07/2024



Learning objectives

- Understand the range of AT accessories commonly added after prescription
- Recognise safer and less safe methods for installation and use
- Brainstorm clinical reasoning around practicality, pricing, and safety
- Process for obtaining MASS-funded accessories and modifications post-prescription

Session focus

Rules and considerations

Client-funded accessory options

Do's and Don'ts

Obtaining MASS-funded accessories

Question & answer

Client-funded accessories



Queensland
Government

Defining Accessories

Non-prescription add-ons

Does not replace any component

Unrelated to core functions

Wheelchair, 4 Wheeled Walker, Bed



Rule 1: Less is more

Less space than you think

1 accessory = +1 risk

Choose wisely

Don't push it





Rule 2: Combos

Must work in tandem

Overlaps

Field of view

Set-up and transfers



Rule 3: Care for the carer

Knowledge

- Set-up
- Transfers
- Access points

Ability

- Driving
- Reach
- Line-of-sight

Time

- Position
- Before and after
- Maintenance



Rule 4: Danger zones

Stay away from:

Wheels and spokes

Brakes

Moving parts (PWC)

Emergency functions

Controls



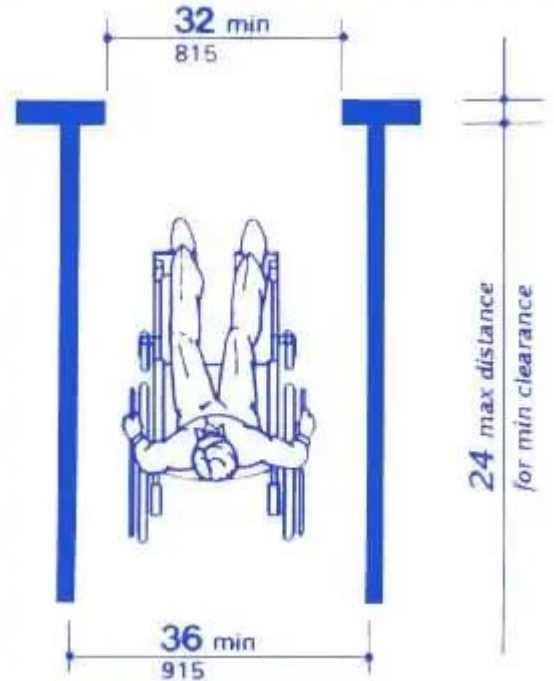
Rule 5: The rectangle

Rectangle = Length x Width (x Height)

Changing measurements

Damage equipment, environment, and people

Do not go outside the rectangle



Test 1: Staying in the rectangle

Rule 6: Zone of normal reach

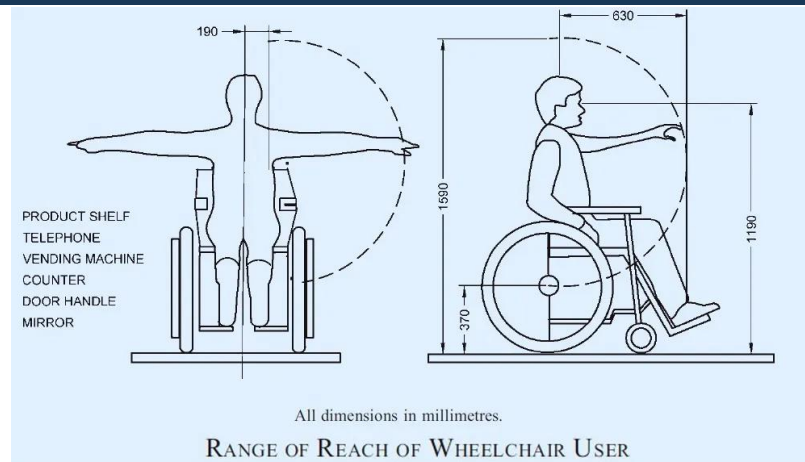
Upper limb movement area

Reach vs use

Obstruct movement

Do not intrude on activity space

Do not leave activity space



[Link](#)



[Link](#)



Rule 7: Gravity and momentum

Everything has weight and momentum

Centre of gravity: Lower & centre = better

- Balance
- Control
- Suspension

SWL vs client + accessories + storage

Weight distribution



Impact of a rear-hanging bag on center of gravity

SAFETY CONSIDERATIONS WHEN PRESCRIBING SIDE-FOLDING WHEELED WALKING AIDS



Side-folding wheeled walking aids can sometimes be lighter and easier to manoeuvre.

However, if the user adds a basket or heavy load to the front, the walker may be more likely to tip forward when going over bumps or changes in surface level.

Consider a front-folding walker where the basket is between the wheels, or educate your clients in safe use if they intend to carry heavier loads.

Your prescription should consider reasonably anticipated future use.



Off-the-shelf and DIY

- Disability equipment suppliers
- Sports equipment / bike stores
- Auto parts shops
- Hardware stores
- Department stores (e.g., pram/stroller accessories)

DIY attachment methods



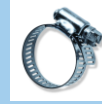
Cable ties



Velcro (loop straps, adhesive strips)



Webbing & clips



Hose clamps



Clamps & brackets



Clips (e.g. carabiners, quicklinks)



Bolts (don't drill new holes, use existing ones)

Fixation options

Drink
holders

Bags and
Backpacks

Phone
holder and
charger

Rain covers

Padding

Safety

Others

Drink holders

Standard

- Cheap but risky



~ \$10

[Link](#)

Bracket

- Some foldable, but fragile



~ \$10 - 60

[Item link](#)
[YouTube link](#)

Drink holders

Soft

- Safe but unstable



~\$10-15

[Item link](#)

Self-levelling

- No spills, except on bumps



~ \$60

[Item link](#)

Extras

Mount/slider/bracket/slot etc

- Secure and flexible



~ \$100-200

Insulation layer

- Thermoregulation



~ \$5-20

Hydration bag

- Doubles as backpack
- Soft, safe, and stable
- Hands free
- Endo tube
- Built-in insulation



\$30 +

[Blue link](#)

[Red link](#)





Jocelyn Stocker



[Link](#)

DO

- Factor in terrain
- Place within useable reach
- Consider bottle size
- Tube length
- Follow backpack rules for hydration bag

Don't

- Mount on outer sides
- Block brakes or moving parts
- Place near controls
- Place near push rims

Bags and Backpacks

Standard

- Basic and flexible



~ \$10+

[Item link](#)

Hardshell/shaped

- Secure and stable



~\$50+

[Camera bag link](#)
[Red link](#)



Positions

High back

- Easy reach
- High CoG (PWC)



[Under seat link](#)
[High back link](#)
[Low back link](#)

Low back

- Stable
- Trunk control



Under seat

- Easy reach
- Safe and stable



Small bags

Pouches

- Flexible
- Small



~\$20+

[Pouch link](#)
[Box link](#)
[Net link](#)

Storage box

- Safe
- RECTANGLE



~\$50+

Under net/shelf

- Surprisingly secure
- Easy access



~\$40+

Positions

Side/under armrests

- X2
- RECTANGLE



[Armrest bag link](#)

Seat front/below

- Easy reach
- Limited space



[Seat bag link](#)

Extras

Cargo webbing straps

- Secure and quick fasten



~ \$5-20

[Straps link](#)
[Carabiner link](#)

Hooks/Carabiners

- Sturdy and versatile



~\$1

DO

- Leave swing/stretch space
- Combine
- Ensure reach and use
- Keep off ground and slopes
- Stay in rectangle

Don't

- Move CoG significantly
- Interfere with cushion
- Leave dangling straps
- Have edges/buckles under pressure

Case Study: Charles X

- 81yo M combat veteran who suffered a complex spinal injury.
- Complex PWC with tilt, raise, and positioning from contoured seat. R) controls, basic armrests with no sideguards to aid side transfer. Wide base
- Full loss past waist. Impaired trunk control, can maintain seated position but if moved out, requires help re-positioning. Full function from chest up.
- Currently works from home as a professor
- Enjoys spending time outdoors with friends e.g. Chess at park, travelling in adapted vehicle
- Financially secure, budget not an issue
- Supportive family members and friends.
- Not much to carry, doesn't do groceries



1. Would we use a large bag? If so, where? Vote in the poll.
 - Large Standard
 - Large Shaped
 - High back
 - Low back
 - Under seat
2. Would we use a small bag? If so, where? Vote in the poll.
 - Small Pouch
 - Small Box
 - Small Net/Shelf
 - Side/under armrests
 - Seat front/below
3. Any other considerations for item choice?
Type your answer in the chat

Phone holders: Grips

X-grip

- Easy and universal
- Stable, not secure



Squeeze frame

- Stable but tight
- Blocks edges



Sticky

- Small
- Unstable



Phone holders: Shaft

Flexible

- Highly positionable
- Unstable



Jointed

- Varying flexibility
- Lockable joints



Short

- Small
- Non-intrusive



Phone holders: Attachment

Clamp

- Variable grip
- Versatile



Bone knob

- Adjustable
- Multi-use



Bolt bracket

- Adjustable
- Specific



Phone holders: Placement

Armrest

- Front, in, and out
- Many options



Seat

- Non-intrusive
- Small chairs



Frame

- Specific positions
- Closer to user



How to attach phone holders

Feat. Crash test dummy/murder victim

[Link to video](#)

Extras

Sports phone holder

- Secure
- No positioning required



~ \$10+

[Sport holder](#)
[Lanyard link](#)

Lanyard

- Recovery
- Memory challenges



~\$5

Phone charger

Plug

- Armrest and anywhere
- Contact supplier



~\$200

[Cable](#)
[Plug](#)

Cable

- Multi-head
- Hidden



~\$20+

DO

- Anti-slip
- Ensure rain coverage
- Stay in cable/charger range
- Adjustability vs length vs stability

Don't

- Fixed position
- Far in or out
- Leave slack lines
- Weird angles

Rain covers

Umbrella holder

- Multi-purpose
- Affordable



~\$20

Mounted umbrella

- Large
- Adjustable



~\$150

Poncho

- 360° coverage
- Light and easy



~\$50



DO

- Cover electronics
- Angle-able
- Avoid ground or moving parts

Don't

- Catch wind
- Block field of view
- Vertical rectangle
- Tilt-in-space
- Canopies (all of the above)

Padding

Push rims

- Rim covers
- Lifting gloves



~\$40+

~\$15

Flat surfaces

- Dry gel/air cell
- DIY



Corners/Straps

- DIY
- Seatbelt pads



~\$5

A custom wheelchair with a large orange wheel and a black seat. The wheelchair is positioned on a light-colored floor. The background is a solid orange color.

MEET HELGA, MY WHEELCHAIR

EVERYTHING I HAVE
CUSTOMIZED ON MY
WHEELCHAIR



[Link to video](#)

Safety

Reverse

- Camera
- Mirror



Lights

- Indicators
- Headlamps



Reflective

- Tape
- Bike reflectors



Others

Urine bag holders

- Loops
- Double



Fan

- Target
- Phone holder rules



Spikes

- Foam
- Sign



MASS-funded accessories



Queensland
Government

Circumstances in which you might need post-provision accessories

- Change in health condition or function
- Change in care arrangement
- Change in environment
- Change in other equipment
- Prescriber error

Accessories for postural support and functional engagement

- Headrest
- Postural supports
- Securements (flexible or rigid)
- Tray

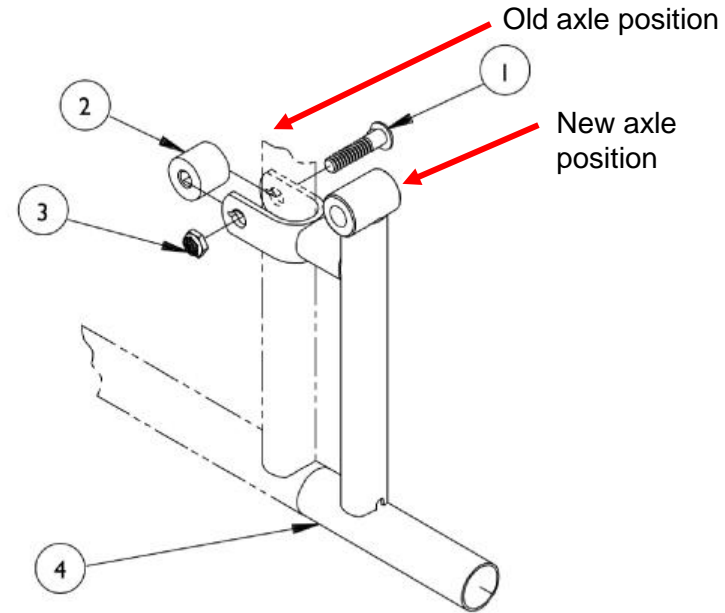


Accessories for people with lower limb amputation

- Amputee bracket
- Residual limb (stump) supports



Residual limb support



Amputee bracket

Accessories for self-propellers

- Hand rims (e.g., plastic coated / stainless steel / one-arm drive / capstan)
- Brake handle extensions
- Spoke guards
- Anti-tips



Brake handle extensions



Capstan / projection hand rims



Spoke guards

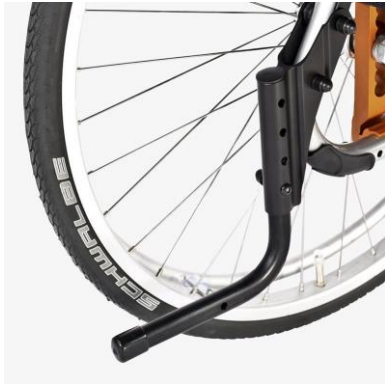
Non-standard example:
Colour My Wheels

Accessories for attendant-propulsion

- Tip assist / step bar / “step tube”
- Extended / alternative push handles



Stroller-style push handle



Tip assist



Push handle extenders

Accessories for speech generating devices

- Mounting system
- Switch mount
- Specialised switches

Mount'n'mover



Daessy



Rehadapt



Switch mounts



Wobble switch – Puff switch – EMG switch – Jellybean switch

Accessories specifically for MSCs

- Additional braking castors (wheel locks)
- Pressure redistribution seat



Other accessories



Adjustable bracketry



Clothes protectors (side guards)



Ventilator mountings

Armrests (removeable, drop down, flip-up, lock down, front-locking)



Now: Simple requests require an email + quote



Now: Complex requests require a MASS Equipment Services Letter Template + quote



Future:
MASS
eApply

Process for requesting accessories after provision

Feedback and questions



[Link to feedback form](#)

